
Comfort-Cire® **Century**®

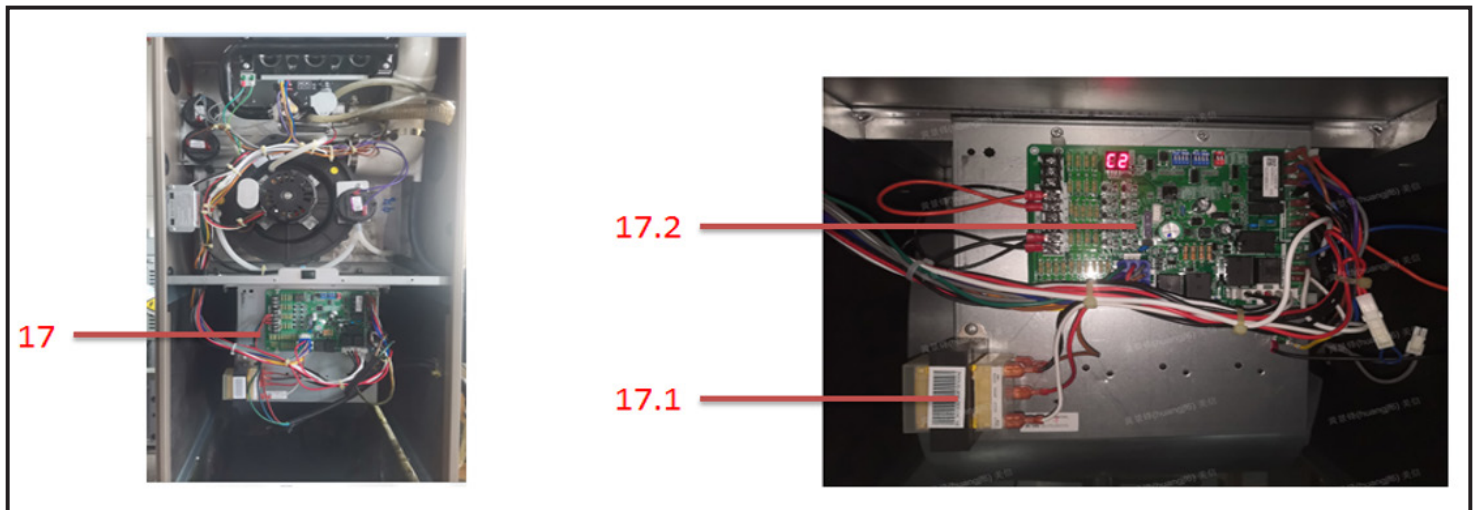
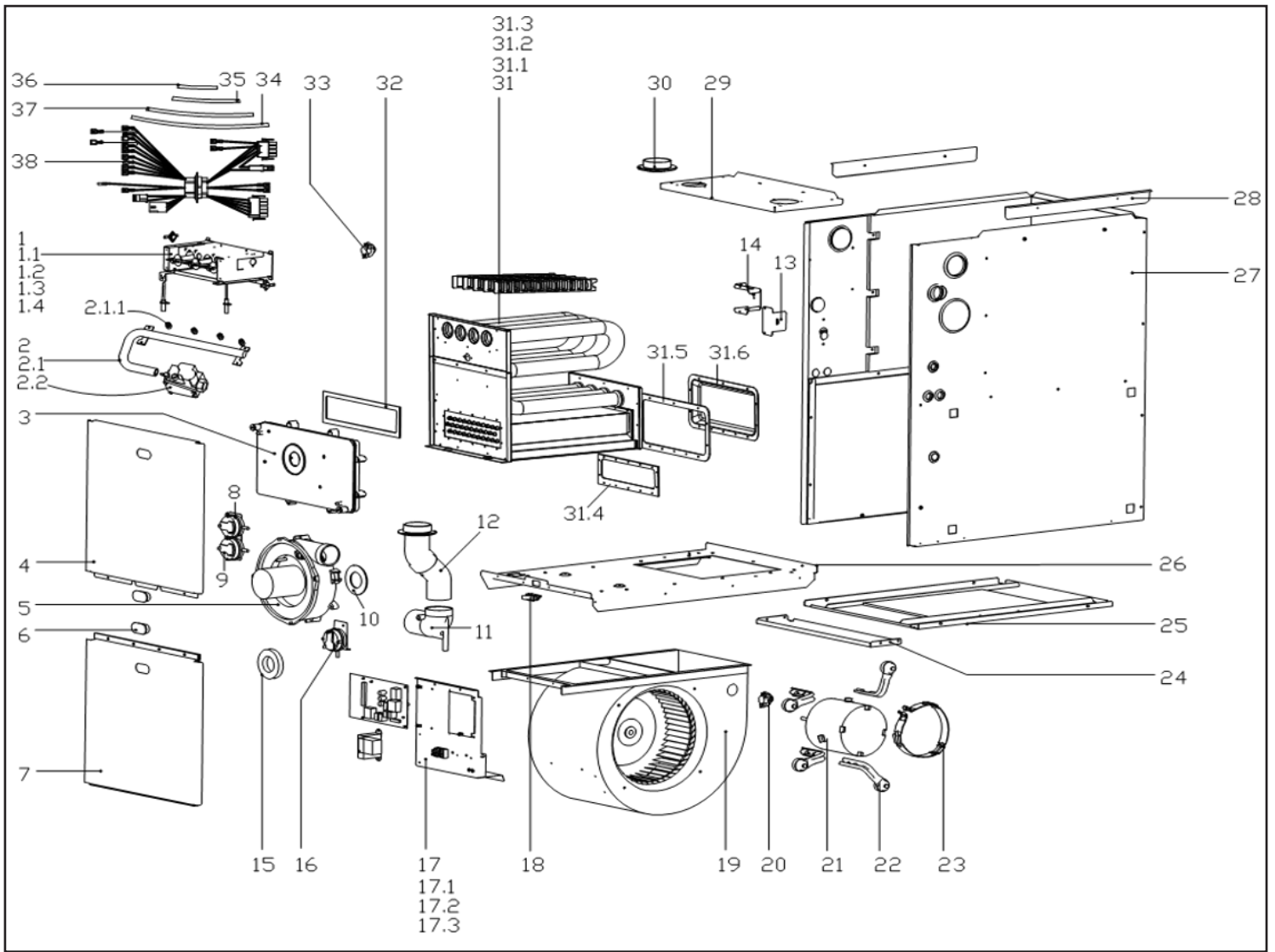
SE Series

Two Stage Multi-Position Gas Furnace 96%

GFM96T080C4S1A

Parts List





| EX_ID | Spare Parts Code | Part Name(EN) | Qty. | Recommend store spare parts |
|-------|------------------|---------------------------------------|------|-----------------------------|
| 1 | 12227600001400 | Combustor assembly | 1 | |
| 1.1 | 17400513000045 | Thermostat | 2 | YES |
| 1.2 | 17427600000007 | Firing pin | 1 | YES |
| 1.3 | 11201006000010 | Special sensor | 1 | YES |
| 1.4 | 17427600000004 | Combustor | 4 | |
| 2 | 15427600000060 | Gas pipe assembly | 1 | |
| 2.1 | 15427600000002 | Gas pipe assembly | 1 | |
| 2.1.1 | 15527600000001 | Copper nozzle | 4 | YES |
| 2.2 | 17427600001389 | Gas Valve | 1 | YES |
| 3 | 12127600000019 | Drain box weld assembly | 1 | YES |
| 4 | 12227600003205 | Upper cover assembly | 1 | |
| 5 | 17400801002944 | Exhaust fan components | 1 | YES |
| 6 | 12127600000009 | Plastic cover | 2 | |
| 7 | 12227600003219 | Bottom cover assembly | 1 | |
| 8 | 17400515000422 | Air switch | 1 | YES |
| 9 | 17400515000421 | Air switch | 1 | YES |
| 10 | 12427600000049 | Smoke exhaust fan gasket | 1 | |
| 11 | 12127600000015 | Smoke exhaust elbow | 1 | YES |
| 12 | 12127600000016 | Smoke exhaust pipe joint assembly | 1 | YES |
| 13 | 12227600000817 | Junction box cover | 1 | |
| 14 | 12227600000818 | Junction box | 1 | |
| 15 | 12127600000366 | Smoke vent buckle | 1 | YES |
| 16 | 17400515000420 | Air switch | 1 | YES |
| 17 | 17227600000941 | E-part box assembly | 1 | |
| 17.1 | 11203103000197 | Linear Transformer | 1 | YES |
| 17.2 | 17127600000708 | Tie-in assembly of main control board | 1 | |
| 18 | 17427600001148 | Door switch | 1 | YES |
| 20 | 17400513000874 | Thermostat | 2 | YES |
| 21 | 11002015011986 | Brushless DC Motor | 1 | YES |
| 22 | 12223000001933 | Motor bracket assembly I | 4 | |
| 23 | 12223000001993 | Motor bracket II | 1 | |
| 24 | 12227600003214 | Bottom supporting board | 1 | |
| 25 | 12227600000819 | Base sealplate assembly | 1 | |
| 26 | 12227600000217 | Partition board assembly | 1 | |
| 27 | 12227600003227 | Cabinet assembly | 1 | |
| 28 | 12227600000274 | Supporting bar assembly | 2 | |
| 29 | 12227600003208 | Front cover assembly | 1 | |
| 30 | 12127600000010 | Air inlet pipe joint | 1 | |
| 31 | 15727600000075 | Heat exchanger assembly | 1 | |
| 31.1 | 15727600000010 | Primary heat exchanger assembly | 1 | |
| 31.2 | 15827600000031 | Secondary heat exchanger assembly | 1 | |
| 31.3 | 12227600000059 | Spoiler | 4 | |
| 31.4 | 12427600000023 | Heat exchanger gasket | 1 | |
| 31.5 | 12427600000031 | Gas-collecting cover gasket | 1 | |
| 31.6 | 12227600000235 | Back gas-collecting cover | 1 | |
| 32 | 12427600000033 | Drain pan gasket | 1 | |
| 33 | 17400513001114 | Thermostat | 1 | YES |
| 34 | 12627600000005 | Silicone tube | 1 | |
| 35 | 12627600000006 | Silicone tube | 2 | |
| 36 | 12627600000007 | Silicone tube | 1 | |
| 37 | 12627600000009 | Silicone tube | 1 | |
| 38 | 17401203016840 | Strong electric cable group | 1 | |

Due to ongoing product improvements, specifications and dimensions are subject to change and correction without notice or incurring obligations. Determining the application and suitability for use of any product is the responsibility of the installer. Additionally, the installer is responsible for verifying dimensional data on the actual product prior to beginning any installation preparations.

Incentive and rebate programs have precise requirements as to product performance and certification. All products meet applicable regulations in effect on date of manufacture; however, certifications are not necessarily granted for the life of a product.

Therefore, it is the responsibility of the applicant to determine whether a specific model qualifies for these incentive/rebate programs.



1900 Wellworth Avenue • Jackson, MI 49203 • 517-787-2100